

Installation Instructions

Decentralized Ventilation System with Heat Recovery

Type e⁹⁰

- Please pass on to the User-

Contents	Page:
Concerning these Instructions, Safety Instructions, Technical Data, Disposal	1
Dimension drawings, Installation position, Range of application	2
Delivery components	3
Assembly: Assembly tube	4
Assembly: electrical installation and electrical connection	5
Coding switch settings, Installation of light-emitting diodes in the switch	6
Assembly: Fan insert, inside panel	7
Assembly Outside panel, Closing the inside panel	9
Filter change, Cleaning, Additional and Spare parts	10

Concerning these Instructions

- Please read these instructions carefully and fully before commencing with assembly work! The general safety instructions and safety symbols with text must be observed!
- These instructions are to be passed on to the user (tenant, owner, building management etc.) after completion of assembly work.

Symbols in these instructions



This symbol warns of a risk of injury.



This symbol warns of risk of injury from electricity

Safety Instructions



Caution! Assembly work on the ventilation unit must only be executed when the power supply has been completely de-energized. The ventilation unit is insulated in accordance with Protection Class II, insulation connection does not apply!



Attention! The electrical connection must be carried out by authorized qualified staff in accordance with VDE 0100!



Attention! This device must not be used by children and persons (filter change/cleaning) who are not able to operate it properly on account of their physical, sensory or mental condition or their inexperience or lack of know-how. Children must be supervised to ensure they do not play with the device.

Technical Data

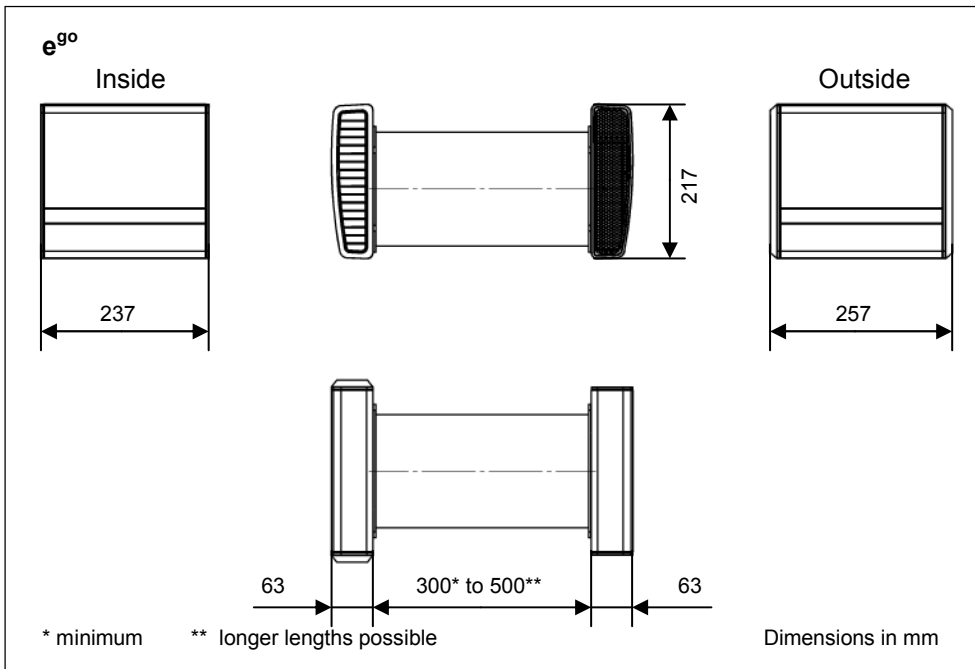
Supply voltage:	230 VAC 50 Hz
Device voltage:	12 VDC SELV
Protection Class:	IP 22
Flow rate:	5; 10; 15; 20 m ³ /h in reverse operation, 45 m ³ /h in exhaust air mode

Disposal



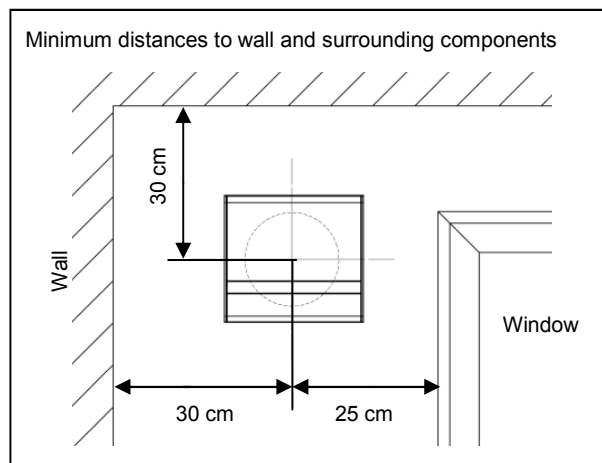
Separate the packaging and dispose of accordingly. If you wish to throw away the device, you must dispose of it in accordance with current legal regulations. Contact your local community center for details.

Dimension drawing (all dimensions in mm)



Installation Position

Two fans operate in the e², always in opposite directions providing supply and exhaust air simultaneously. Minimum distances to the wall and surrounding components must be observed to ensure unobstructed air flow without inadmissible mixing of supply and exhaust air!



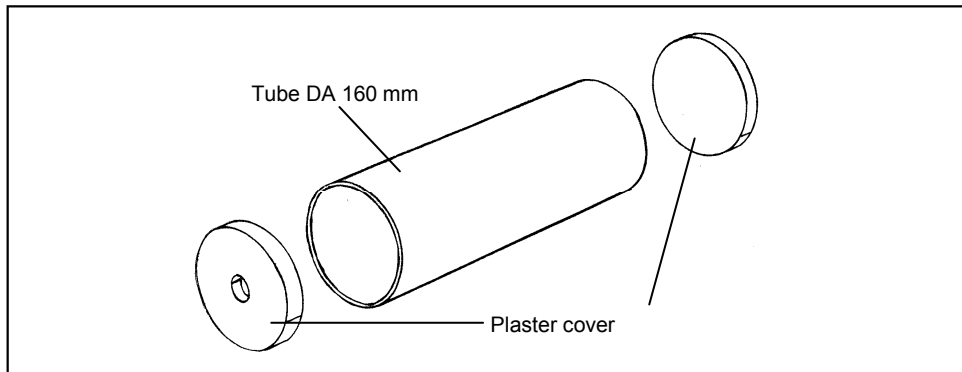
Range of Application

Temperature range of application: - 15°C to + 40°C
Can be used at a relative humidity up to 65% in the interior room area. Low formation of condensation during the heating period is possible. If the application limit is exceeded, switch off the device and close the inside panel. Ensure supply of fresh air via window ventilation.

Delivery items

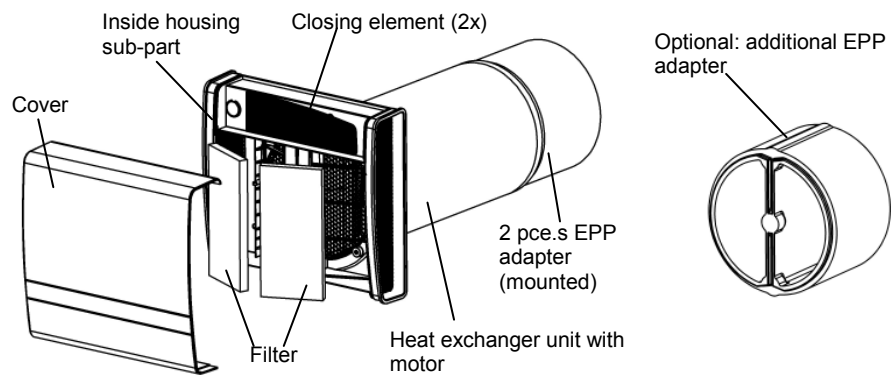
Check your delivery for completeness and perfect condition!

Assembly tube

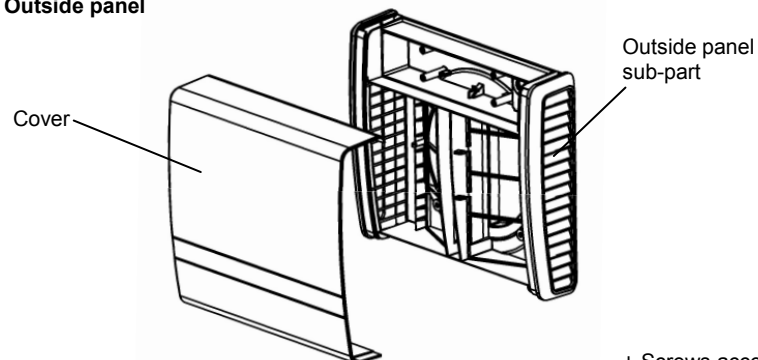


e⁹⁰-insert

Inside panel with heat exchanger unit and adapter stick



Outside panel

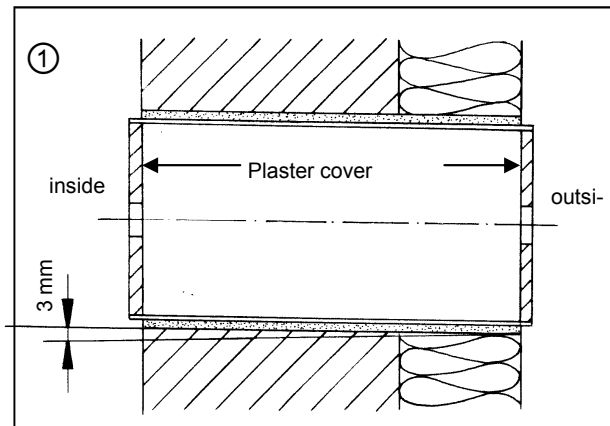


+ Screws accessories

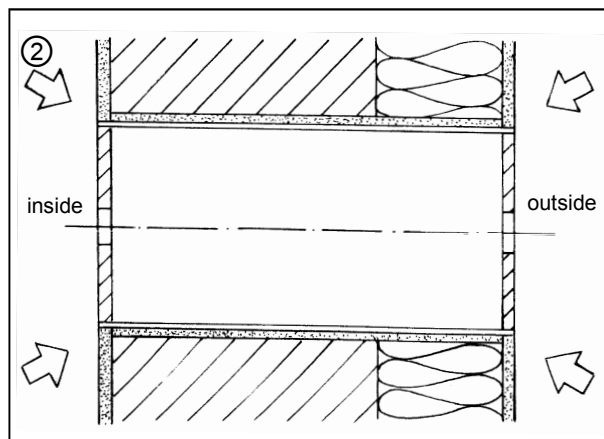
Assembly—Assembly Tube

Prepare wall openings for the assembly tube (e.g. via core drill hole, core bit $\varnothing 162$ mm). If necessary, shorten the tube to the installation length required.

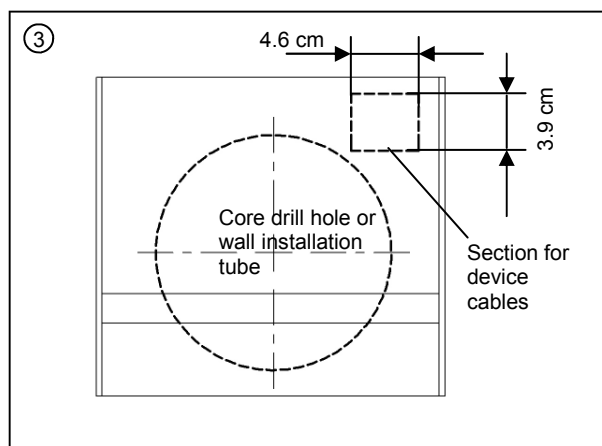
Make sure there is a slight projection of the tube on both sides to bridge the plaster thickness (after plastering, the tube must be flush with the plaster). Insert the tube and seal it all-round (Assembly adhesive Order No. 038 733).



Apply inside and outside plaster.



Prepare the cable for the device connection in the designated section (e.g. J-Y (ST9Y4x2x0,8)). Cable length approx. 100 to 120 mm. Use the drilling template!



Assembly – Electrical Installation and electrical connection

Safety Instructions



Caution! All installation work on the ventilation device must only be executed when the supply voltage has been completely deactivated and de-energized.

De-energize all connection lines to supply voltage before connecting the ventilation device! (separation from grid with min. 3 mm contact opening, e.g. all-phase separating electric fuse).

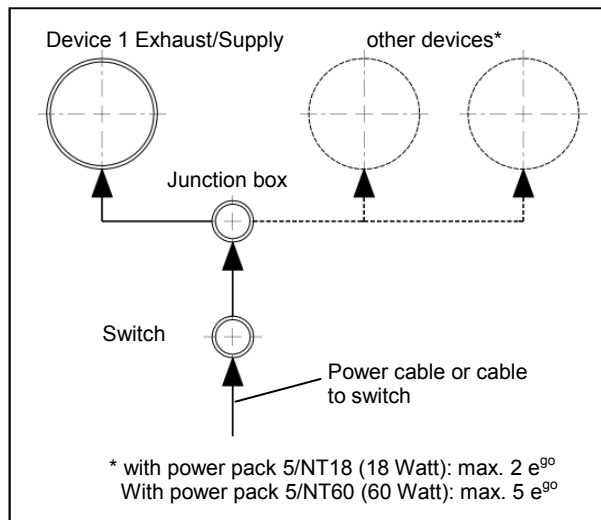
Each circuit connected to this ventilation system must be fitted with residual current protection (e.g. RCD switch)!



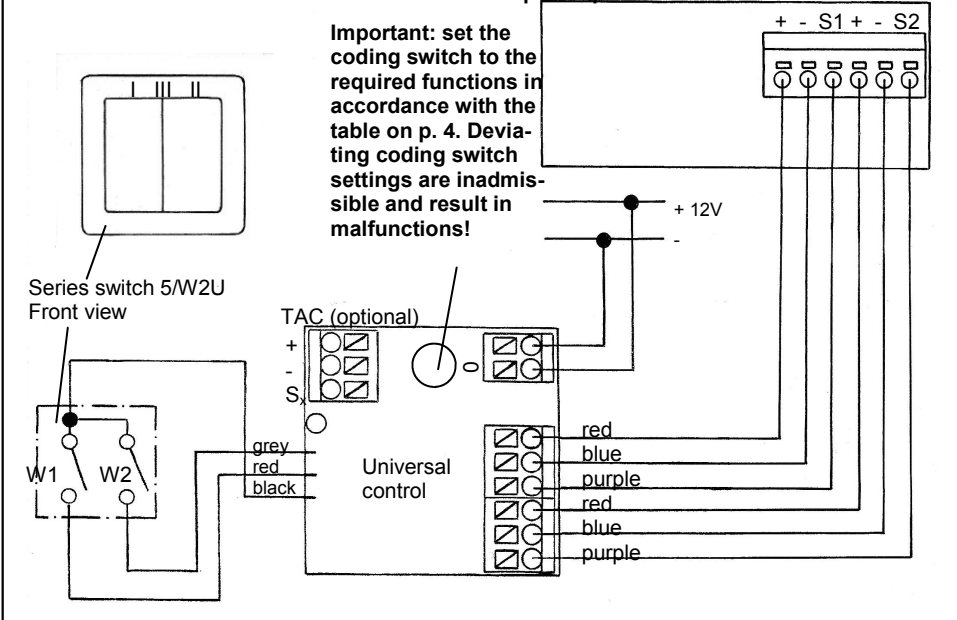
Electrical connection must be executed by a qualified electrician!

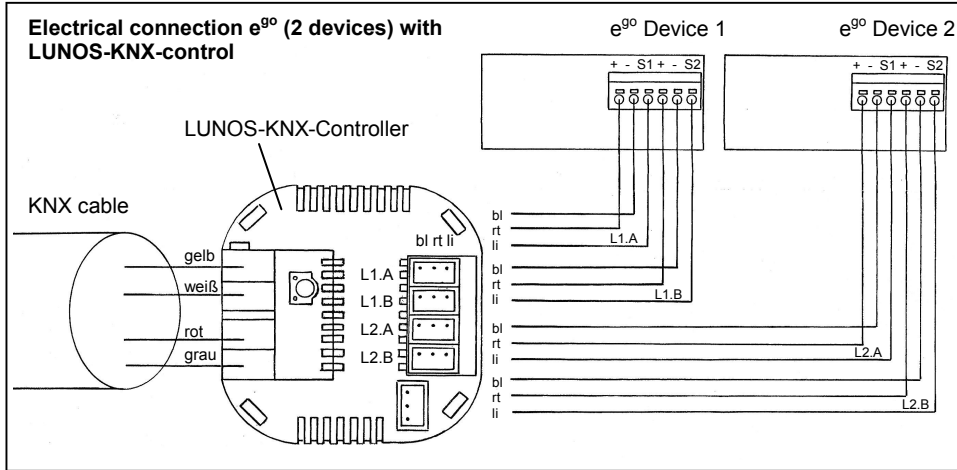
Additional installations and electrical components in this ventilation system are not admissible!

Triggering can be made via the universal control 5/UNI and the comfort control TAC. The respective installation instructions apply accordingly. Select the position of the switch. Slit the cable channels. Connect the cable to the switch and locate the power pack under the switch e.g. 3x 1.5mm², otherwise a cross-section suffices e.g. J-Y(ST)Y 4 x 2 x 0.8) and the cables to the devices (e.g. J-Y (ST)Y 4 x 2 x 0.8). Switching and switch are connected in accordance with the connection plan displayed below.



ÉI. connection e⁹⁰ with control 5/UNI and external power pack





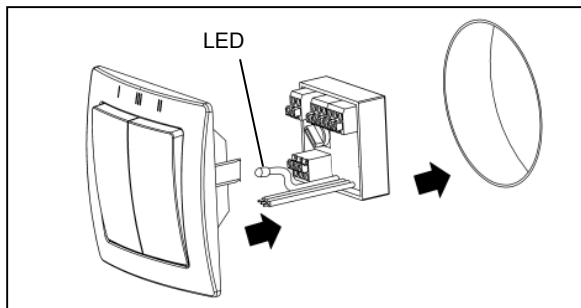
Coding switch setting programs and volume flow steps

Coding switch setting	Fan type	Functional description	Programs and air flow rates				Rockers W 2
			Rocker 1 OFF	Rocker 1 ON	Rocker 1 OFF	Rocker 1 ON	
			Rocker 2 OFF	Rocker 2 OFF	Rocker 2 ON	Rocker 2 ON	
9	e ⁹⁰	OFF, three-step	OFF	5 m ³ /h	10 m ³ /h	20 m ³ /h	Summer ventilation
A	e ⁹⁰	Four-step	5 m ³ /h	10 m ³ /h	15 m ³ /h	20 m ³ /h	Summer ventilation
B	e ⁹⁰	Three-step and exhaust air	5 m ³ /h	10 m ³ /h	20 m ³ /h	45 m ³ /h (exhaust air)	Summer ventilation
C	e ⁹⁰	OFF, two-step and exhaust air	OFF	5 m ³ /h	10 m ³ /h	45 m ³ /h (exhaust air)	Summer ventilation

The filter change display is reset within 3 s via actuating the rocker switch W1 once in all program options.

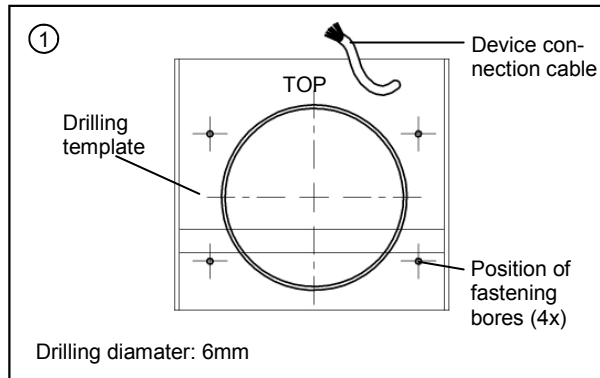
Installation of light-emitting diodes of control 5/UNI in the switch

Attention The light-emitting diode points upwards and is inserted into the circular opening on the underside of the switch provided by LUNOS! Please check the opening for the LED when using conventional series switches!

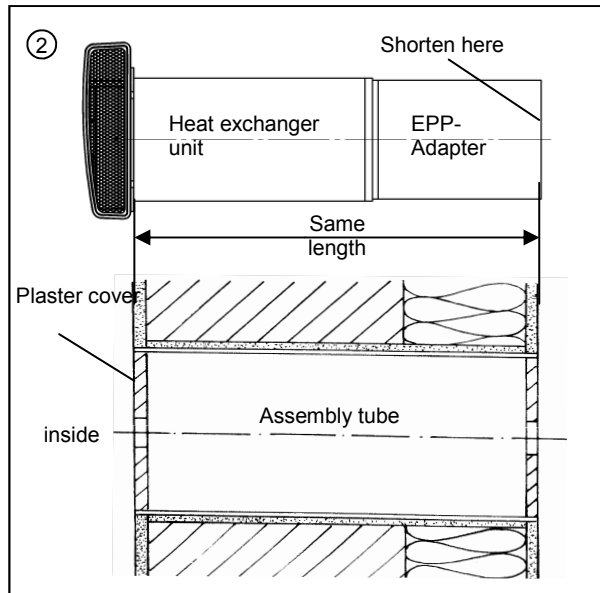


Assembly – Assembly fan insert, inside room panel

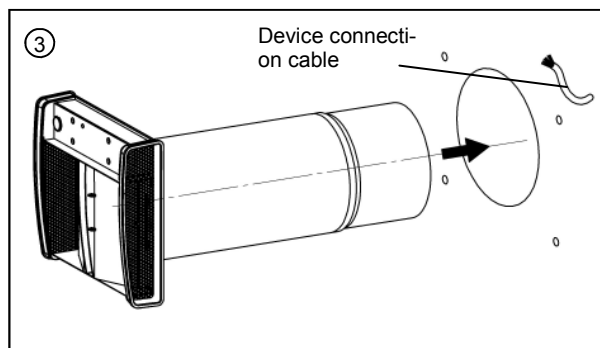
Drill the fastening bores for the inside room panel using the drilling template and insert the dowels enclosed.
Note: Observe the label 'TOP', any deviating installation position is not admissible for flow-related reasons!

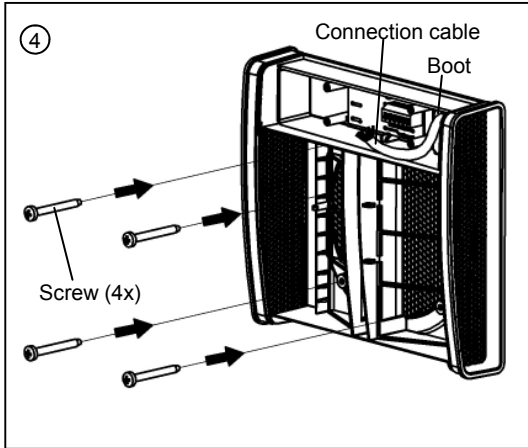


Remove the plaster cover. Shorten the EPP adapter to the length of the assembly tube. In the case of tube lengths above 500 mm, additional adapter pieces may be mounted!

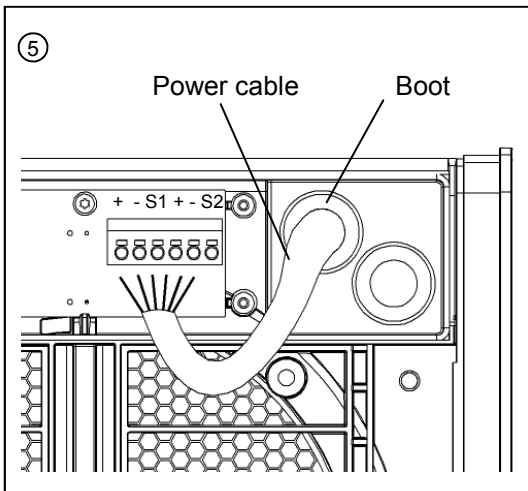


Insert the fan unit (inside panel sub-part, heat exchanger unit and EPP adapter) into the assembly tube!

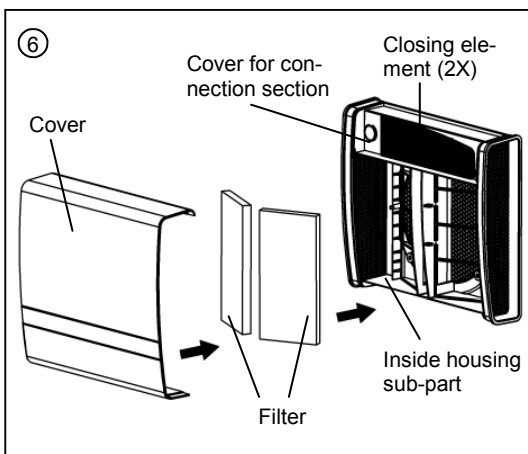




Insert the connection cable through one of the boots of the inside housing sub-part in the section of electrical connection! Fasten the inside housing sub-part to the wall using the screws enclosed!



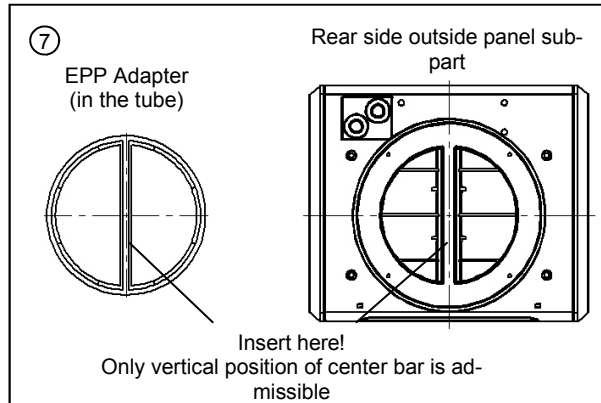
Connect the ventilation unit!
(Connection plan, refer to p 5)



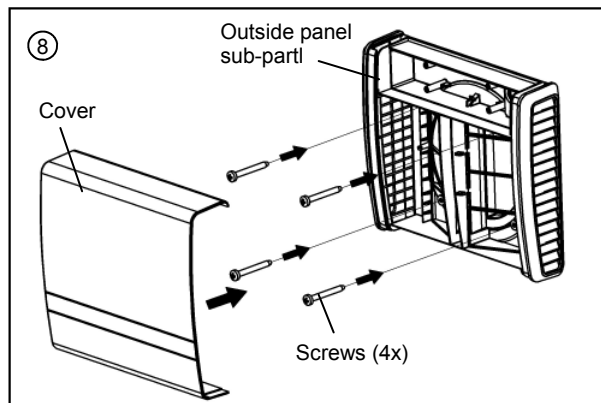
Mount the cover for the electrical connection section and insert the closing element on top!!
Insert the filter and snap on the cover!

Assembly—outside panel

Using the drilling template, drill the fastening drill holes and insert dowels (in accordance with the surface) provided on-site (refer to 'Assembly of inside room panel' Image 1). Place the outside panel sub-part on the EPP adapter located in the tube!

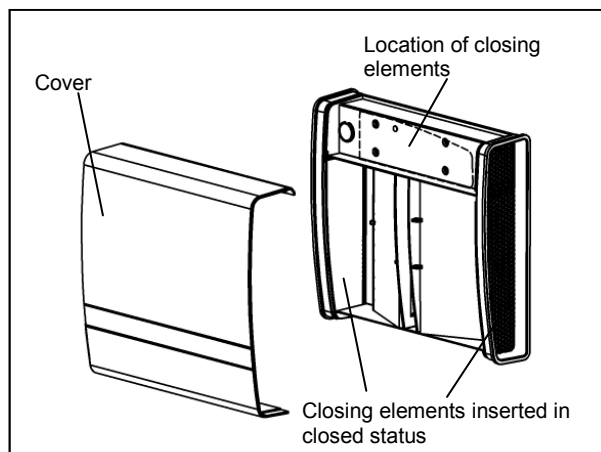


Fasten the outside panel sub-part using the screws enclosed! Place the cover on top!!



Closing the inside panel

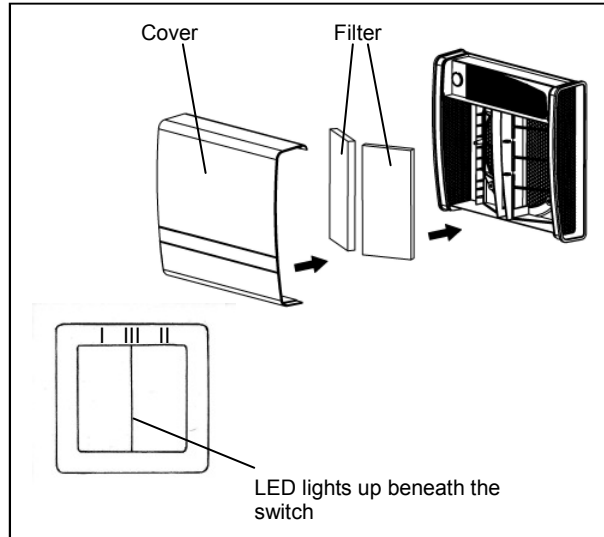
The inside panel can be closed, if required, using the magnetic closing elements: place the closing elements with the red side outwards from the inside in front of the fan grille! Apply the cover!



Filter change

The filter change display signals a contaminated filter. In connection with the universal control, a LED lights up continuously in red beneath the switch.

Remove the cover. Remove the filter, insert new or cleaned filter (cleaning of the filter can be made e.g. using the dishwasher). Place the cover on. The ventilation vents must not be obstructed or covered. Reset the filter change display by pressing the rocker switch W1 once. Functioning of the filter change display in connection with the TAC and LUNOS KNX control is included in the respective instructions.




Please enter the filter changes you have carried out:

Filter change date	planned filter change	Filter type used

Cleaning

If required, wipe the inside room panel and cover frame with a dry, soft cloth.

 Filter change and cleaning must not be carried out by children and persons not able to execute such work on account of their physical, sensory or mental condition or their inexperience or lack of know-how.

Additional/Spare parts

Filter G3 Type 9/FEGO-3R Pack of 4
 Pollenfilter Type 9/FEGO-P Pack of 4
 EPP Adapter Type 2/AD 160

Order No.: 039 998
 Order No.: 039 982
 Order No.: 039 965

Notes

Notes



Deutschland

LUNOS Lüftungstechnik
GmbH für Raumlufsysteme
Wilhelmstr. 31
13593 Berlin

Tel.: 0 30 / 36 20 01 - 0
Fax: 0 30 / 36 20 01 - 89
E-Mail: info@lunos.de
Internet: <http://www.lunos.de>

E 168/ 03.14